

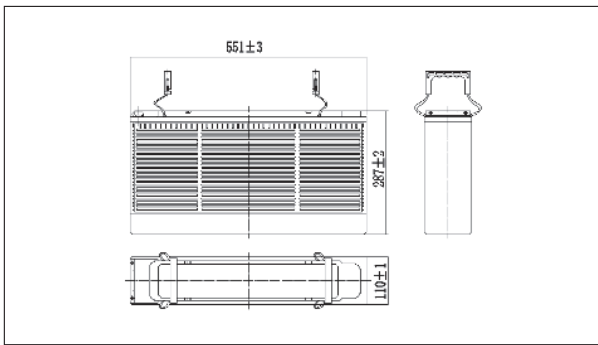
FT12-150Ah 12V150Ah



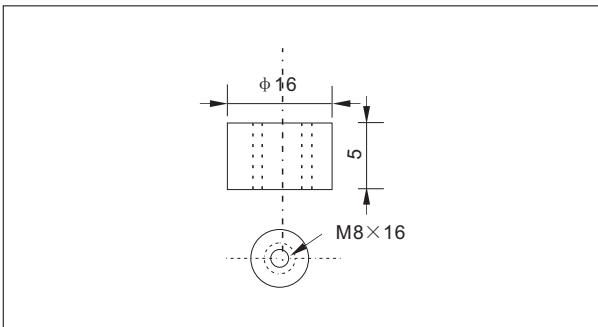
● **Specifications**

Nominal Voltage		12V
Rated capacity (10 hour rate)		150Ah
Dimensions	Length	551±3mm(21.69inch)
	Width	110±1mm(4.33inch)
	Height	28.7±2mm(11.30inch)
	Total Height	28.7±2mm(11.30inch)
Approx. Weight		48kg(105.8lbs)±3%

● **Outer dimensions (mm)**



● **Terminal Type (mm)**



● **Characteristics**

Capacity (25°C)	10HR(10.8V)	150Ah
	3HR(10.8V)	112.5Ah
	1HR(10.5V)	82.5Ah
Terminal type		T16
Internal resistance (Fully charged, 25°C)		Approx. 4m Ω
Capacity affected by temperature (10HR)	40°C	102%
	25°C	100%
	0°C	85%
	-15°C	65%
Self-discharge (25°C)	3month	Remaining Capacity:91%
	6month	Remaining Capacity:82%
	12month	Remaining Capacity:65%
Nominal operating temperature		25°C ±3°C(77°F ±5°F)
Operating temperature range	Discharge	-15°C~50°C(5°F~122°F)
	Charge	-10°C~50°C(14°F~122°F)
	Storage	-20°C~50°C(-4°F~122°F)
Float charging voltage(25°C)		13.50 to 13.80V Temperature compensation: -18mV/°C
Cyclic charging voltage(25°C)		14.50 to 15.00V Temperature compensation: -30mV/°C
Maximum charging current		45A
Terminal material		Copper
Maximum discharge current		1050A(5 sec.)
Designed floating life(20°C)		12years

● **Construction**

Component	Positive plate	Negative plate	Container	Cover	Separator	Electrolyte	Safety valve	Terminal
Raw material	lead dioxide	Lead	ABS	ABS	AGM	Sulfuric acid	Rubber	Copper

● **Constant Current Discharge Characteristics Unit:A(25°C,77°F)**

F.V/Time	15min	30min	60min	2h	3h	4h	5h	6h	8h	10h	20h
9.60V	247	148	90.8	54.8	39.5	31.5	26.9	23.4	18.5	15.3	8.09
9.90V	241	145	89.5	54.5	39.2	31.3	26.8	23.3	18.4	15.2	8.08
10.2V	232	140	87.2	54.0	39.0	31.1	26.6	23.1	18.3	15.2	8.05
10.5V	224	137	84.5	53.2	38.7	30.9	26.4	23.0	18.2	15.1	8.01
10.8V	212	132	81.8	51.8	37.5	30.0	25.6	22.3	17.6	15.0	7.95

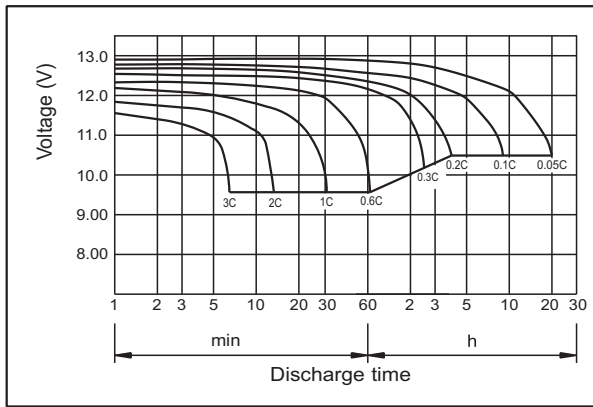
● **Constant Power Discharge Characteristics Unit:W(25°C,77°F)**

F.V/Time	15min	30min	60min	2h	3h	4h	5h	6h	8h	10h	20h
9.60V	2712	1658	1036	635	464	371	318	277	220	182	97.1
9.90V	2647	1624	1020	631	461	368	316	275	219	182	96.9
10.2V	2549	1575	994	625	458	366	314	273	217	181	96.6
10.5V	2462	1537	963	616	455	363	312	271	216	180	96.1
10.8V	2332	1480	932	600	441	352	303	263	209	179	95.4

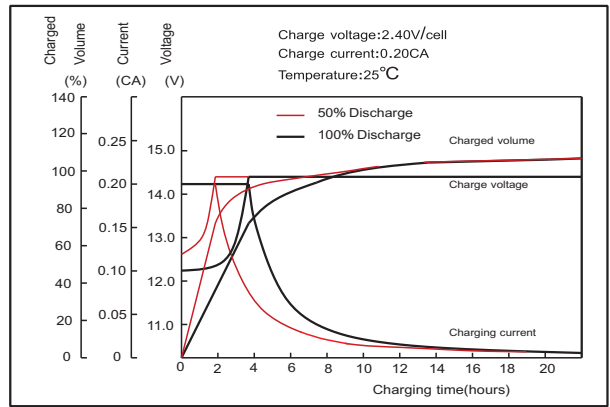
Note: The above characteristics data can be obtained within three charge or discharge cycles.

FT12-150Ah 12V150Ah

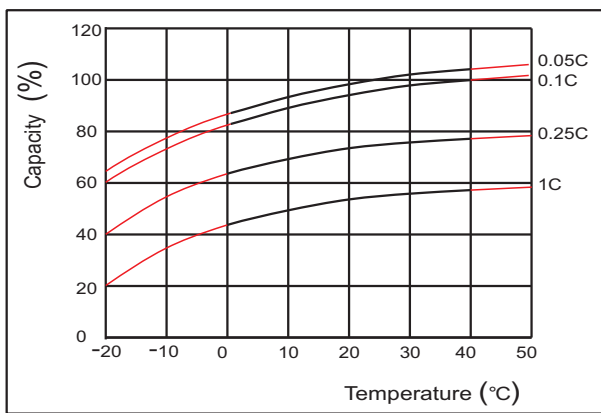
● Discharge characteristics(25°C)



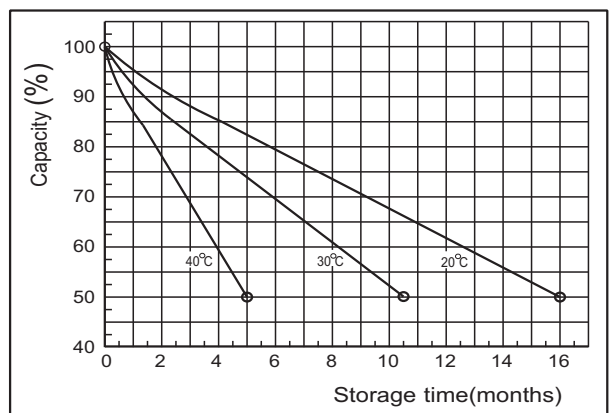
● Charging characteristics



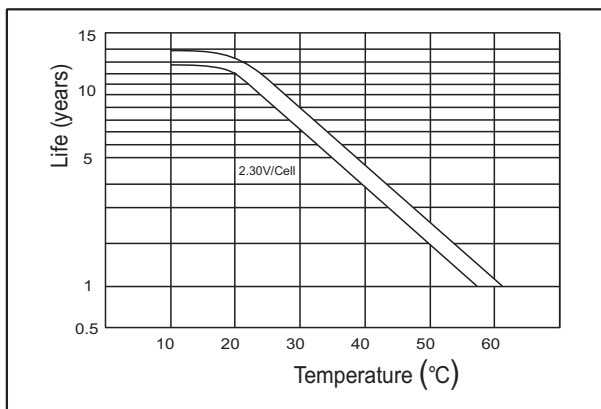
● Temperature effects on Capacity



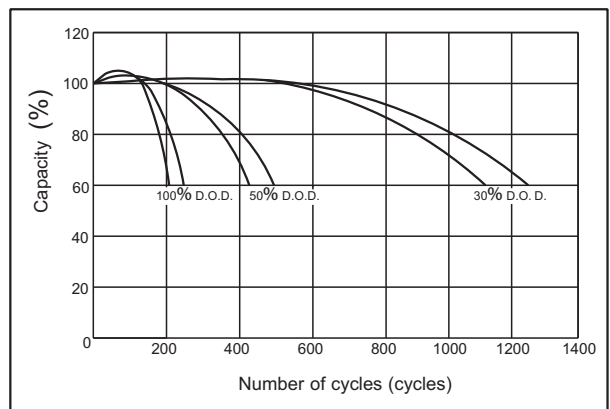
● Self-discharge characteristics



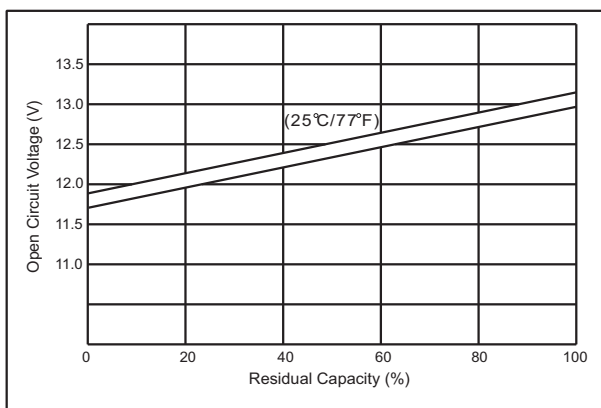
● Temperature effects on float life



● Cycle service life in relation to depth of discharge



● The relationship for OCV and Capacity (25°C)



● The relationship for Charging voltage and Temperature

